



TRP-C51 Fiber TO RS232/422/485 Isolated Converter, SC 40KM

Specifications

- Power requirement: DC voltage input from +10V to +30V.
- RS-232 signal: TXD, RXD, GND, RTS, CTS.
- RS-422/485 connection: industrial plug-in screw terminal.
- RS-485 signal: differential 2 half-duplex wires. (Data+, Data-).
- RS-422 signal: differential 4 full-duplex wires (TX+, TX-, RX+, RX-).
- Communication Protocol: ASCII and Modbus ASCII.
- Baud rate; support baud rate from 1.2Kbps to 921600bps.
- Data bit :8 .
- Support Parity check: None, Even, Odd.
- Stop bit: 1, 2 .
- Support RS-232 flow control RTS/CTS: Enable, Disable.
- Host PC to TRP-C51 connection: use null modem female-female cable.
- Plug-in screw terminal wiring: Accepts AWG #12 ~30 wires.
- Wireless transmission distance: Open filed :100M ,Normal:20~30M.
- RS-422/485 distance: up to 4000ft . (1200M).
- LED indicator: Power, Link TX, and RX.
- Antenna cable length :150cm.
- Power input type: Screw terminal or external DC adaptor (5.5*2.1* 12mm /500mA).
- Power consumption: 1.2 watt.
- Operating temperature:-10 to 50°C .
- Storage temperature: -20 to 70°C .
- Humidity: 10-90% Non-condensing.
- Dimension: 151mm X 75mm X 26mm .
- Weight: 400g .

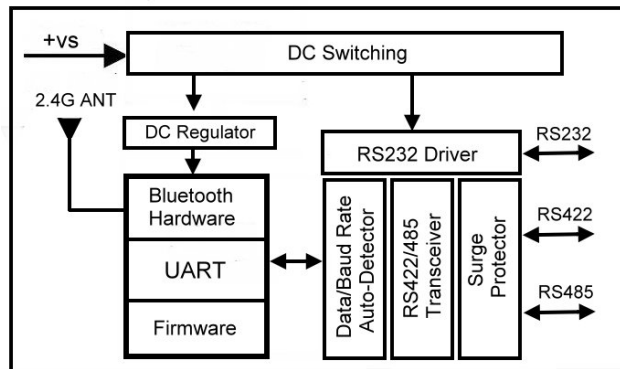
Introduction

Based on Bluetooth technology TRP-C51 allows you to wirelessly connect your RS-232/422/485 devices to systems within the range up to 100M, If using the outdoor direction antenna can up to 1KM (option) , TRP-C51 features wide range power input, auto RS-232/422/485 signal switching and internal surge protection on RS-422/485 lines. It also supports all common data format and baud rate which can be configured by the bundled TRP-BT utility from Windows system. TRP-C51 can operate in "Direct link mode" and "Paired mode" When in paired mode, the user just need to power two devices, and they will automatically connect without software and hardware changes on your systems that will replace your serial wire with a completed transparent wireless connection. It can be used for wide range of applications for wireless operation and monitoring process.

Features

- Bluetooth V1.2 Class 1 compliance. (2.5mW/4dBm)
- Bluetooth interface compatible with PDA and PC-Base system.
- Transmission range open filed 100M .
- Using the outdoor direction antenna can up to 1KM .
- Bi-directionally RS-485 signals communication.
- Support all common baud rate from 1.2K to 921600Kbps.
- Comfortable TRP-BT configuration software .
- LED indicators for Power/Link/TX/RX.
- Surge protection on RS-422/RS485.
- RS232/422/485 +/- 15KV ESD protection.
- Power input Screw terminal, or external DC adaptor.
- Wide input range power supply.
- DIN rail and panel mount support.

Block Diagram



Application Note

Direct Mode (Virtual-COM)

