

TRP-C36

Ethernet to 1 port RS232/422/485 Isolated Converter



Introduction

TRP-C36, a high speed, single-port serial device, is designed to instantly convert data from RS232/422/485 interfaces to an Ethernet network running at the TCP/IP protocol. By using a standard COM port and existing network infrastructure the device allow you to link together a distant RS232/422/485 serial devices. You can reach TRP-C36 from Windows and Linux without the need to modify existing software. TRP-C36 supports 10/100Mbps auto-detecting, and auto RS485 data direction flow control, it also provides with 3000V DC isolation and internal surge protection to protect the converter against high input voltage spikes and ground potential differences, and ensure a save data transmission on network. The industry DIN rail and panel mounting design enable user a fast and professional installation.

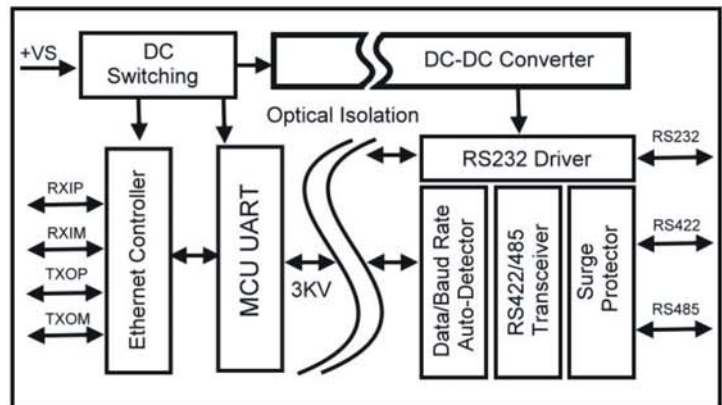
Features

- ◆ Wide input range DC power supply.
- ◆ Fully compatible with Ethernet TCP/IP, protocol.
- ◆ Support 3000V DC isolated protection.
- ◆ Auto direction flow control on RS485.
- ◆ Surge protection on RS422/485 data lines.
- ◆ Support baud rate up to 230Kbps.
- ◆ Power/Link/TX /RX mode LED indicator.
- ◆ Support intranet and internet system setting function.
- ◆ Support screw terminal and external DC power adaptor.
- ◆ Operating System: Windows98/Me/2000/NT/XP.
- ◆ DIN rail and panel mount support.

Specifications

- ◆ Power Input Voltage: DC +10V to +30V.
- ◆ Interface: Standard RJ45 LAN port.
- ◆ LAN: 10/100Base-T, 10/100Mbps Auto-detecting.
- ◆ RS232: 5 full-duplex (TXD, RXD, CTS, RTS, GND).
- ◆ RS422: Differential 4 full-duplex wires (TX+, RX+, TX-, RX-).
- ◆ RS485: Differential 2 half-duplex wires (D+, D-).
- ◆ Connection type: Screw terminal accepts AWG #12~30 wire.
- ◆ Signal LED: Power, Link, TX, RX.
- ◆ Power supply: Screw terminal, or external DC adapter.
- ◆ Power consumption: 1.6W.
- ◆ Isolation Voltage: 3000V DC.
- ◆ Operating environment: -20 to 65°C.
- ◆ Storage temperature: -20 to 65°C.
- ◆ Humidity: 10~90% Non-condensing.
- ◆ Dimension: 151mm X 75mm X 26mm.
- ◆ Weight: 375g.

Block Diagram



Application Note

