

Ethernet Remote IO



Introduction

The TRP-C28H is a 4-ch digital Input and 4-ch relay Ethernet I/O module with isolation. It allows the user to connect the signals from 4V to 30V, and the Relay can connect AC voltage directly. Each contact of relays we built-in safety surge protection to prevent a spark. It has a normal I/O except the counter function. There are 3 protocols we supports that, it includes ASCII and Modbus TCP RTU / ASCII. The watchdog function ensures running stable under harsh environment. It allows to connect 1~8 sets of host IP in the network security.

Features

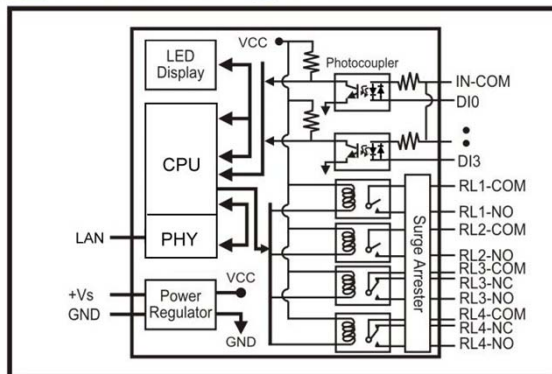
- Wide input range DC power supply.
- Automatically determine 3 TRP-ASCII and Modbus RTU/ASCII communication protocol.
- 16 TCP Port can be open at the same time.
- Heart Beat function ensures a reliable communicating connection.
- Maximum 8 sets host IP that limits network access.
- Support Virtual-COM mode.
- WEB PAGE can be directly read IO status.
- Back to factory configuration by external touch Button.
- Auto reconnection when power or Ethernet fail.
- Digital input signal from +/- 0 to 30V DC.
- Built-in surge absorber in each relay N.C and N.O.
- Built-In watchdog function prevents system boot fail.
- LED for each I/O channels working status.
- Support Auto-MDIX twisted pair crossover detection and Auto-Correction.
- Power/Link/8 CH D I/O LED indicator.
- Dual power input select from screw terminal or DC-Jack.

TRP-C28H Isolated 4 DI and 4 AC Relay Modbus TCP Module

Specifications

- Power Input Voltage DC +10V to +30V.
- Protocol: TRP-ASCII and Modbus RTU/ASCII.
- Input channel: 4 digital input channels with counter.
- Input digital input counter: 0~65535.
- Input optical isolation: 3750 Vrms.
- Input logical level 0 +1V (max).
- Input logical level 1 +4.0V ~ +30V.
- Output channel: 4 channel power reply outputs.
- Relay type: 2 Form A (RL1,RL2) , 2 Form C (RL3,RL4).
- Contact rating: 5A /30V DC , 5A /120V AC , 5A /250V AC.
- Relay surge strength: 4000V.
- Relay operating time: 3mS.
- Relay operating life: 2 X 10⁷.
- Communication interface: Ethernet RJ45.
- Configuration mode: Trycom Device Manager, WEB settings.
- Matching remote control: with another TRP-C28H.
- Heart Beat: TCP Port sent string every 5 seconds.
- TCP Maximum Connection: 1~16.
- Module ID : 1~255.
- Connection type: Screw terminal for maximum AWG 12 wire.
- Power supply: Screw terminal, or external DC adapter.
- Power consumption 320mA/12V.
- Operating environment: 0 to 50°C.
- Storage temperature: -10 to 70°C.
- Humidity: 10~90% Non-condensing.
- Dimension: 151mm X 75mm X 26mm .
- Weight: 395g .

Block Diagram



Application Note

