



TRP-C08X USB to 4 RS232/422/485 Converter

Specifications

- Input: USB 2.0.
- RS232 signal: 4 Pair 16c450/16c550 compatible UARTS.
- RS422 signal: 4 Pair Differential 4 full-duplex wires (TX+, RX+, TX-, RX-)
- RS485 signal: 4 Pair Differential 2 half-duplex wires (D+, D-).
- Data Format: Asynchronous data with any combination of bits, parity, stop
- Parity type: None, odd, even mark, space.
- Data bit: 5, 6, 7, 8
- Stop bits: 1, 1.5, 2.
- Flow Control: Xon/Xoff, Hardware, None
- Cable: USB 2.0 type A to type B cable.
- Communication speed: 75~921Kbps.
- RS422/485 line protection: Against surge, short circuit, +/- 15KV ESD and voltage peak.
- RS232 line protection: +/- 15KV ESD.
- Distance: RS422/485 Up to 4000ft (1250M).
- Connection type: Screw terminal for maximum AWG #12 ~ 30 wires.
- Din-Rail mountable: Option.
- Power consumption: 190mA by USB power.
- Operating environment: -10 to 60°C .
- Storage temperature: -20 to 65°C .
- Dimension: 151mm X 111mm X 26mm.
- Weight: 691(W/Packing) .
- Humidity: 10-90% non-condensing.

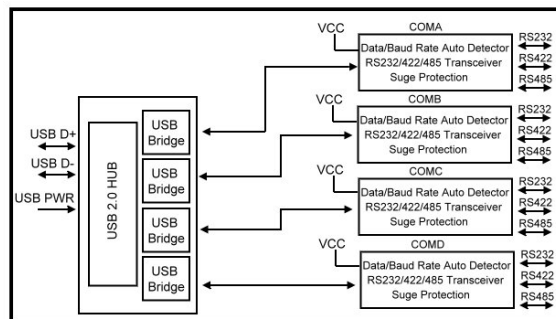
Introduction

The TRP-C08X is USB 2.0 to Serials converter that has four DB-9 RS232 male connectors and Four screw terminal for RS422/485. The DB-9 pin serial port is configured as a DTE (data terminal equipment) device which is same as all PC COM ports. The RS422/485 with Auto configuration in data format, baud rate and RS485 data flow direction control. The RS422/485 internal surge-protection on each data line, it gives the host computer and module itself entirely protection from destructive voltage spikes and danger of unregulated voltages input. TRP-C08X also features a high-speed 921.6 K bps transmission rate, and supports various O.S. The industry DIN rail and panel mounting design enable user a fast and professional installation.

Features

- USB-2.0 Device Controller.
- Customer-specified Baud rates are also supported.
- Each Port cans impendent set up the baud-rate and data format.
- On-Chip 512-Byte FIFO for upstream and downstream data transfers for serial Port.
- Fully PLC support such as Mitsubishi Q,FX and FATEK serial....
- Auto direction flow control on RS-485.
- Auto baud rate switching from 75bps to 921.6 Kbps.
- 256 byte buffer for upstream and downstream data flow.
- Direct power from USB port, no external power necessary.
- Surge protection on RS422/485 data lines.
- Power and TX/RX communication LED indicator.
- DIN rail or panel mount support.
- Driver support: WIN10,Vista64/32,Windows 8/8.1/98/ME/2000/XP/WIN7/CE3.0, and Linux, and Mac OS.

Block Diagram



Application Note

