

USB to Serial Device



Introduction

TRP-C08 can be stable running in the industrial environment. It provides USB port protection when it detected unusual currents. TRP-C08 provides RS422/485 line surge protection and RS232/422/485 with a photo couple between USB ports. TRP-C08 can be easy to use, users have no worries about setting the serial data format and RS485 flow control, and how to wire RS422/485, everything is auto-detectable.

Features

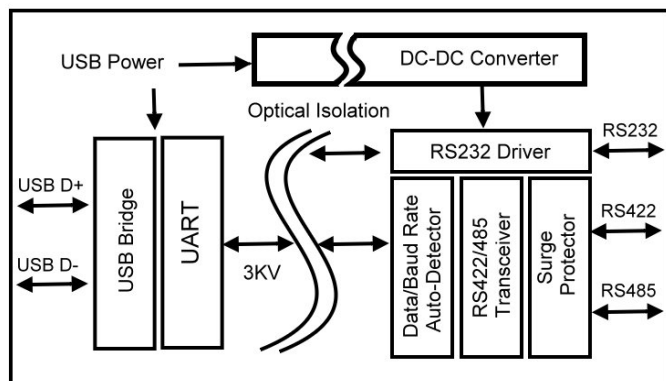
- Full compliance with the USB V1.0 and 2.0 specification.
- System gets 1 COM port when the converter is connected.
- Auto data format detecting.
- Auto direction flow control on RS-485.
- Programmable baud rate from 75 bps to 6 Mbps.
- RS232/422/485 Support 3KV isolation
- 256 byte buffer for upstream and downstream data flow.
- Direct power from USB port , no external power necessary.
- 3000V DC isolated protection.
- Surge protection on RS422/485 data lines.
- Power/TX/RX mode LED indicator.
- DIN rail or panel mount support.
- Driver support: Android/ WIN11/10/8/8.1/798/ME/2000/XP/CE3.0, and Linux, and Mac OS.

TRP-C08 Ver:3.0 USB to RS232/422/485 Isolated Converter

Specifications

- USB interface: Fully compliant with V1.0, 2.0 specification.
- USB to serial bridge controller; Prolific PL2303GC(Version:3.0).
- RS-232 signal: 5 full-duplex (TXD, RXD, CTS, RTS, GND).
- RS-422 signal: Differential 4 full-duplex wires (TX+, RX+, TX-, RX-).
- RS-485 signal: Differential 2 half-duplex wires (D+, D-).
- Data Format: Asynchronous data with all common combination of bits, parity, stop.
- Parity type: None, odd, even mark, space.
- Data bit: 5, 6, 7, 8 or 16.
- Stop bits: 1, 1.5, 2.
- Cable: USB type A to type B.
- Communication speed: 75~6M bps.
- RS-422/485 line protection: Against surge, short circuit, and voltage peak.
- Transmission distance: RS-422/485 Up to 4000ft (1200M).
- Connection type: Screw terminal accepts AWG #12~30 wires.
- Signal LED: Power on, TX, RX.
- Direct power from USB port.
- Power consumption: 1.2W.
- Isolation voltage: 3000V DC.
- Operating environment: -10 to 50°C .
- Storage temperature: -20 to 70°C.
- Humidity: 10-90% Non-condensing.
- Dimension: 151mm X 75mm X 26mm .
- Weight: 375g .

Block Diagram



Application Note

