

USB to Serial Device



Introduction

TRP-C08D can be stable running in the industrial environment.

It provides USB port protection when it detected unusual currents.

TRP-C08D provides RS422/485 line surge protection.

TRP-C08D can be easy to use, users have no worries about setting the serial data format and RS485 flow control, and how to wire RS422/485, everything is auto-detectable.

Features

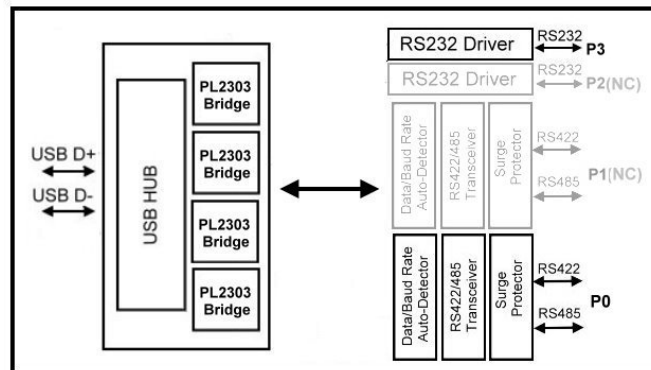
- Full compliance with the USB V1.0 and 2.0 specification.
- Fixed com port function no matter which USB port plug
- USB port protection when detecting unusual currents.
- Auto UART data format detecting.
- Auto direction flow control on RS-485.
- Programmable baud rate from 75 bps to 6 Mbps
- 256 byte buffer for upstream and downstream data flow.
- Direct power from USB port , no external power necessary.
- Surge protection on RS422/485 data lines.
- Power/TX/RX mode LED indicator.
- DIN rail or panel mount support.
- Windows 11, 10, 8, 7 (Microsoft Certified WHQL Drivers)
- Windows Server 2008 R2, 2012, 2016, 2019, 2022
- Mac OS X, Linux OS, Android 3.2 and above

TRP-C08D USB to 1 RS232 and 1 RS422/485 Industrial Converter

Specifications

- Input: USB 2.0.
- Output: RS232 signal: Standard 9 pin DTE full-duplex.
- RS422 signal: Differential 4 full-duplex wires (TX+, RX+, TX-, RX-)
- RS485 signal: Differential 2 half-duplex wires (D+, D-).
- Optical Isolation: RS422/485 3KV.
- Data Format: Asynchronous data with any combination of bits, parity, stop
- Parity type: None, odd, even mark, space.
- Data bit: 5, 6, 7, 8
- Stop bits: 1, 1.5, 2.
- Flow Control: Xon/Xoff, Hardware, None
- Cable: USB 2.0 type A to type B cable.
- Communication speed: 75~256Kbps.
- RS422/485 line protection: Against surge, short circuit, +/- 15KV ESD and voltage peak.
- RS232 line protection: +/- 15KV ESD.
- Distance: RS422/485 Up to 4000ft (1250M).
- Connection type: Screw terminal for maximum AWG #12~30 wire.
- Din-Rail mountable: Option.
- Power consumption: 160mA by USB power.
- Operating environment: -10 to 50°C.
- Storage temperature: -20 to 65°C.
- Dimension: 151mm X 111mm X 26mm.
- Weight: 375g.
- Humidity: 10-90% non-condensing.
- Input: USB 2.0.

Block Diagram



Application Note

