

## USB to Serial Device



## Introduction

The TRP-C08 allows you to connect your serial devices to systems by using a USB interface. With auto configuration in data format, baud rate and RS-485 data flow direction control. TRP-C08 is able to automatically configure RS-232, RS-422 or RS-485 signals to baud rate without external switch setting. TRP-C08 is equipped with 3000V DC of isolation and internal surge-protection on each data lines to protect the host computer and converter against high voltage spikes, as well as ground potential difference. TRP-C08 also features a high-speed 256 Kb/s transmission rate, and supports various O.S. The industry DIN rail and panel mounting design enable user a fast and professional installation.

## Features

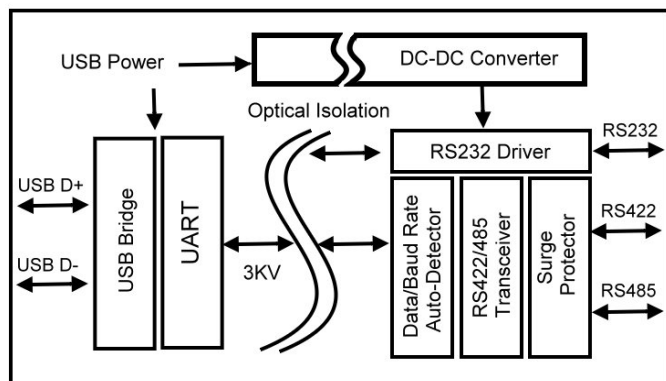
- Full compliance with the USB V1.0 and 2.0 specification.
- System gets 1 COM port when the converter is connected.
- Auto data format detecting.
- Auto direction flow control on RS-485.
- Programmable baud rate from 75 bps to 6 Mbps.
- RS232/422/485 Support 3KV isolation
- 256 byte buffer for upstream and downstream data flow.
- Direct power from USB port , no external power necessary.
- 3000V DC isolated protection.
- Surge protection on RS422/485 data lines.
- Power/TX/RX mode LED indicator.
- DIN rail or panel mount support.
- Driver support: Android/ WIN10/8/8.1/798/ME/2000/XP/CE3.0, and Linux, and Mac OS.

# TRP-C08 USB to RS232/422/485 Isolated Converter

## Specifications

- USB interface: Fully compliant with V1.0, 2.0 specification.
- USB to serial bridge controller; Prolific PL2303TA(Version:2.1).
- RS-232 signal: 5 full-duplex (TXD, RXD, CTS, RTS, GND).
- RS-422 signal: Differential 4 full-duplex wires (TX+, RX+, TX-, RX-).
- RS-485 signal: Differential 2 half-duplex wires (D+, D-).
- Data Format: Asynchronous data with all common combination of bits, parity, stop.
- Parity type: None, odd, even mark, space.
- Data bit: 5, 6, 7, 8 or 16.
- Stop bits: 1, 1.5, 2.
- Cable: USB type A to type B.
- Communication speed: 75~6M bps.
- RS-422/485 line protection: Against surge, short circuit, and voltage peak.
- Transmission distance: RS-422/485 Up to 4000ft (1200M ).
- Connection type: Screw terminal accepts AWG #12~30 wires.
- Signal LED: Power on, TX, RX.
- Direct power from USB port.
- Power consumption: 1.2W .
- Isolation voltage: 3000V DC.
- Operating environment: -10 to 50°C .
- Storage temperature: -20 to 70°C .
- Humidity: 10-90% Non-condensing.
- Dimension: 151mm X 75mm X 26mm .
- Weight: 375g .

## Block Diagram



## Application Note

