



Introduction

In addition to serial server function, The TRP-C37A is able to remote monitoring serial device.

There are 2 models to choose from:

Automatic monitoring mode:

The Serial device must send a single pulse to TRP-C37A continually per 30 seconds.

If serial device do not send a single pulse over 30 seconds ,the TRP-C37A will be activates the relay.

Manual mode:

If the serial device need to restart, user can feel free to set the relay enable through the TRP-C37 A web configuration.

Features

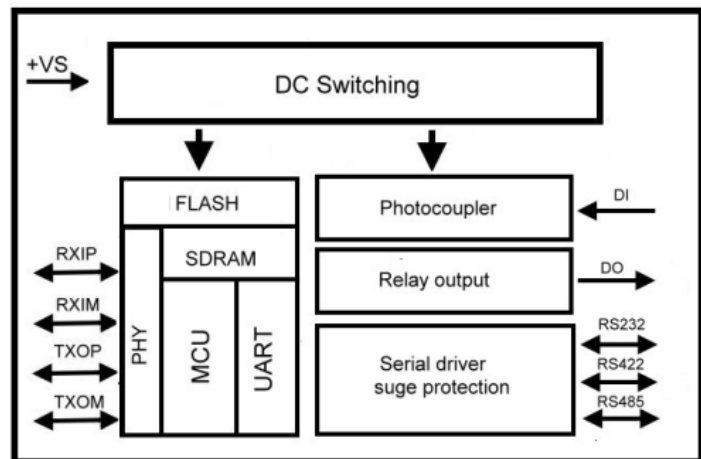
- Automatic remote monitoring serial device.
- Automatic restart the serial device.
- Direct active the relay by web page.
- Read the counter value and DI status from web page.
- Adjustable relay latch time from web page.
- Wide input range DC power supply.
- Power Input detection circuit.
- External watchdog function prevents system or power fail.
- Support Auto-MDIX twisted pair crossover detection and Auto-Correction.
- Maximum Connection 16 Client PC at Server Mode.
- Maximum 8 sets host IP that limits network access.
- Surge protection and over current and over voltage on RS-422/485 data lines.
- Support baud rate form 1200~921600Kbps.
- Auto switching RS-232/422/485 signal interface.
- Virtual COM drivers for Windows 98/WIN2000/WIN XP/Vista/WIN2003/WIN 7/WIN 8/WIN 8.1/WIN10.
- Virtual Com Support Server, Client, UDP mode.
- Fully compatible with Ethernet and TCP/IP protocol.
- Supports 10/100 Mbps Ethernet.
- Power/Link/RX/TX mode LED indicator.
- Heart Beat function ensures a reliable communicating connection.
- Auto Pair-mode when power or Ethernet fails.
- Back to factory by external switch.
- Support configuration by serial console.
- Update the firmware from LAN.
- Dual power input select from screw terminal or DC-jack

TRP-C37A RS232/422/485 Serial Device Server with Remote Monitoring

Specifications

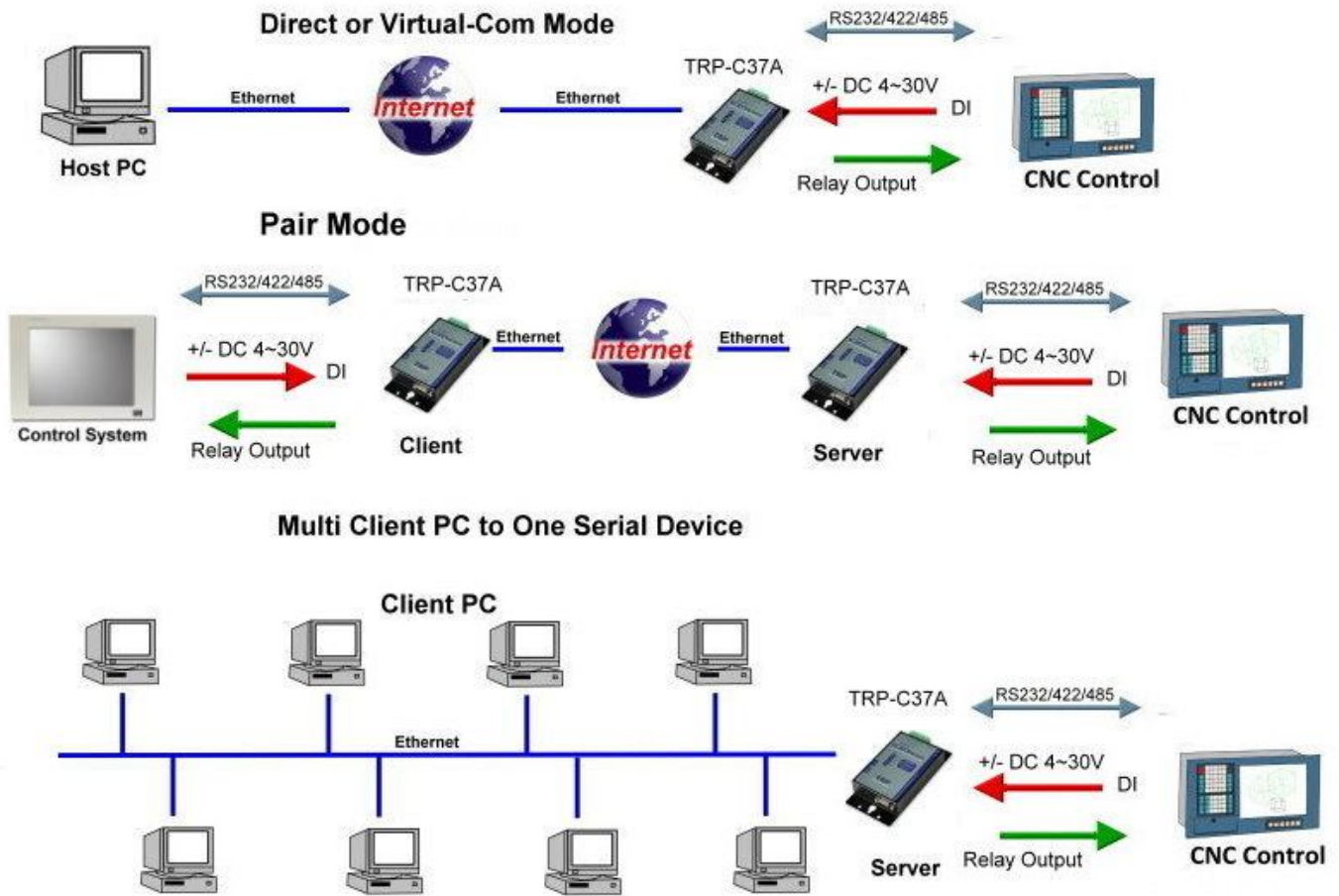
- Power Input Voltage: DC +10V to +30V.
- LAN: Auto-MDIX, 10/100 Mbps Auto-detecting.
- RS-232: TX, RX, RTS, CTS, DTR, DSR, DCD, GND.
- RS485 signal: differential 2 half-duplex wires (DATA+, DATA-).
- RS422 signal: differential 4 full-duplex wires(TX+,RX+,TX-,RX-).
- Data Rate: 1200,2400,4800,9600,19200,38400,57600,115200,921600 K bps .
- Parity: none, even, odd.
- Data Bits: 5, 6, 7 or 8.
- Stop Bits: 1, 1.5 or 2.
- Protocol: TCP, IP, ARP, DHCP, Telnet, HTTP, UDP, ICMP
- External switch 1,2:OFF/OFF :TCP and VSP mode.
 - ON/ OFF : Option .
 - OFF/ON :Option.
 - ON/ON :Back to Factory.
- Virtual-Com RS232 TXD,RXD,GND.
- RS422 TX+,TX-,RX+,RX-.
- RS485 DATA+,DATA-.
- Heartbeat function: TCP 5300 port send a strings per 5 seconds.
- Maximum TCP connections at the same time: 16.
- Digital I / O connector: D-type 9PIN female.
- Digital input an effective voltage: DC +/- 4 ~ 30V.
- Digital Input count : 0~65535.
- Relay setting start to closing time: 1 ~ 255 (ms / unit).
- Relay specifications: two independent NC, COM, NO.
- Relay contact capacity: AC 125V / 0.5A, DC 30V / 2A, DC110V / 0.3A.
- Power supply: Screw terminal or DC jack .
- Serial interface: +/-15 KV ESD.
- RS422/485 interface: Surge, over current, over voltage protection.
- Power consumption: 12V/150mA.
- Operating Temperature:-10 to 65 °C.
- Humidity: 0~90% Non-Condensing.
- Dimensions: 151(L)*75(W)*26(H) mm.
- Weight: 410g with packing.

Block Diagram

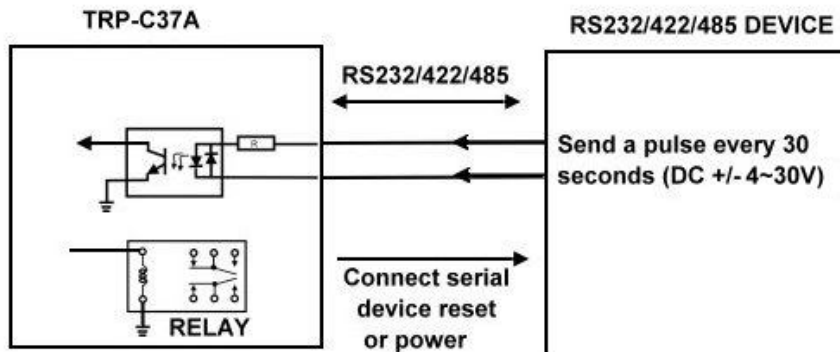


TRP-C37A RS232/422/485 Serial Device Server with Remote Monitoring

Application Note



Remote automatic monitoring



It will be causes the relay active when the TRP-C37A does not receives a pulse over 30 sec.
 The relay actuation time is adjustable by the TRP-C37A WEB interface.